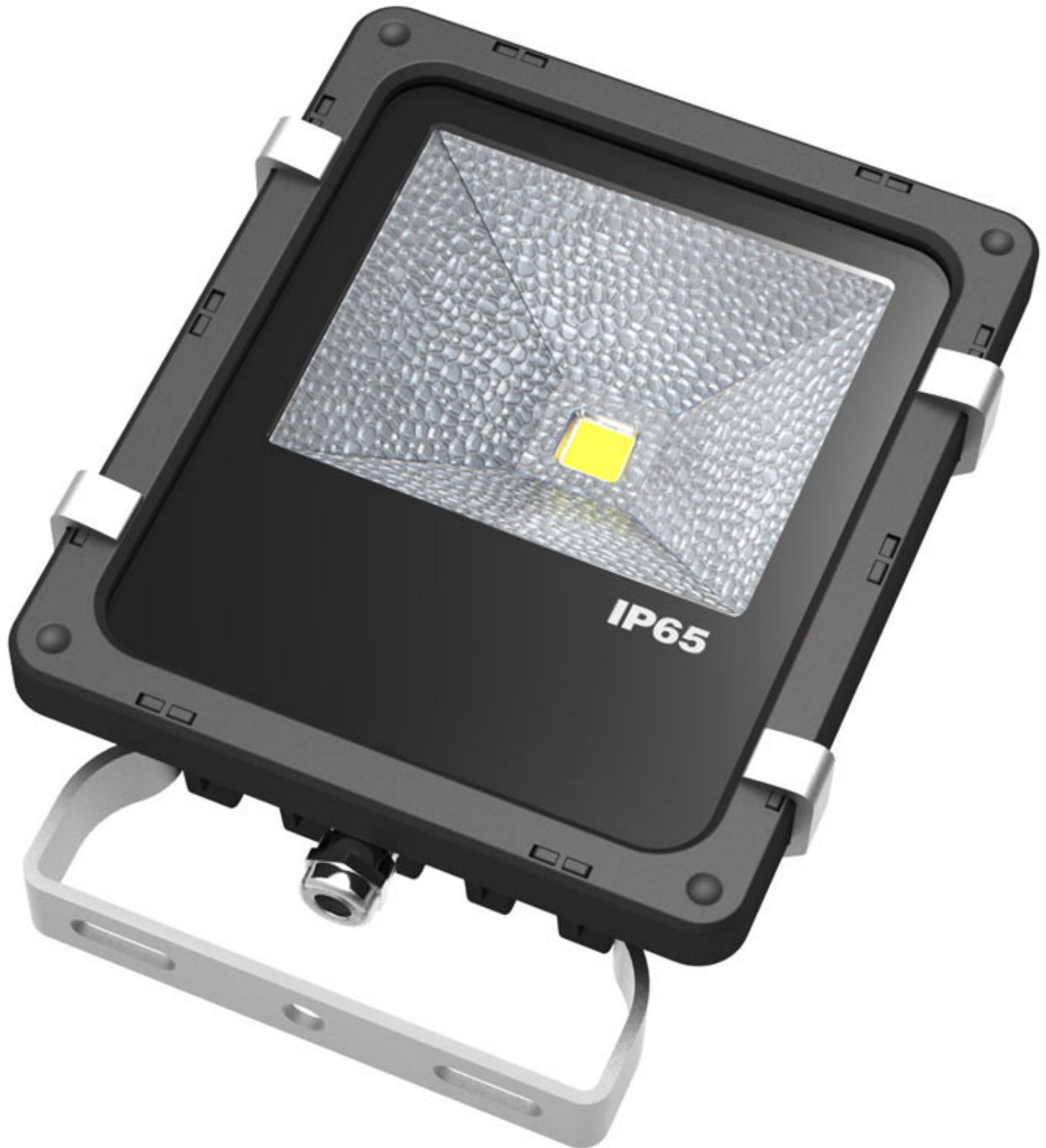
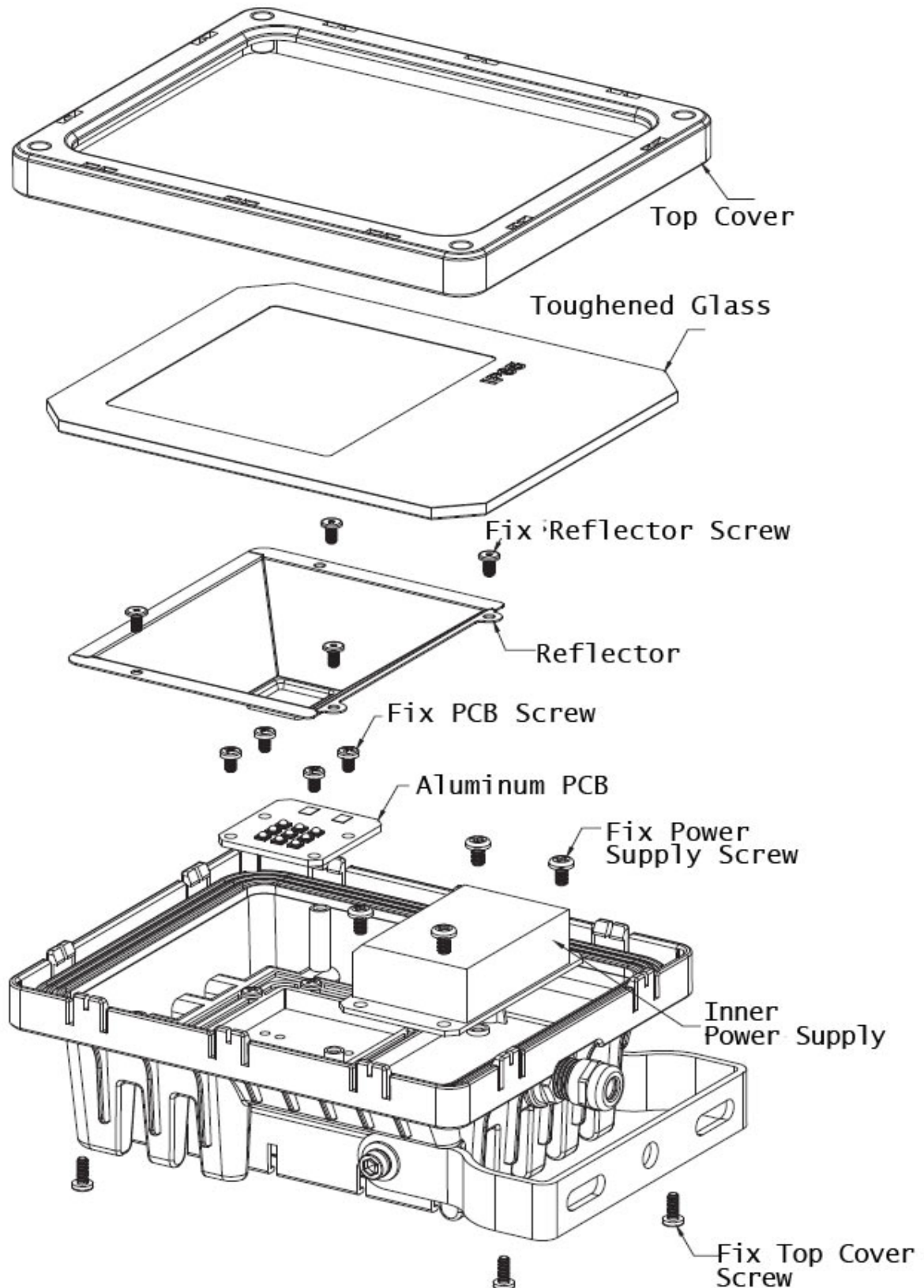


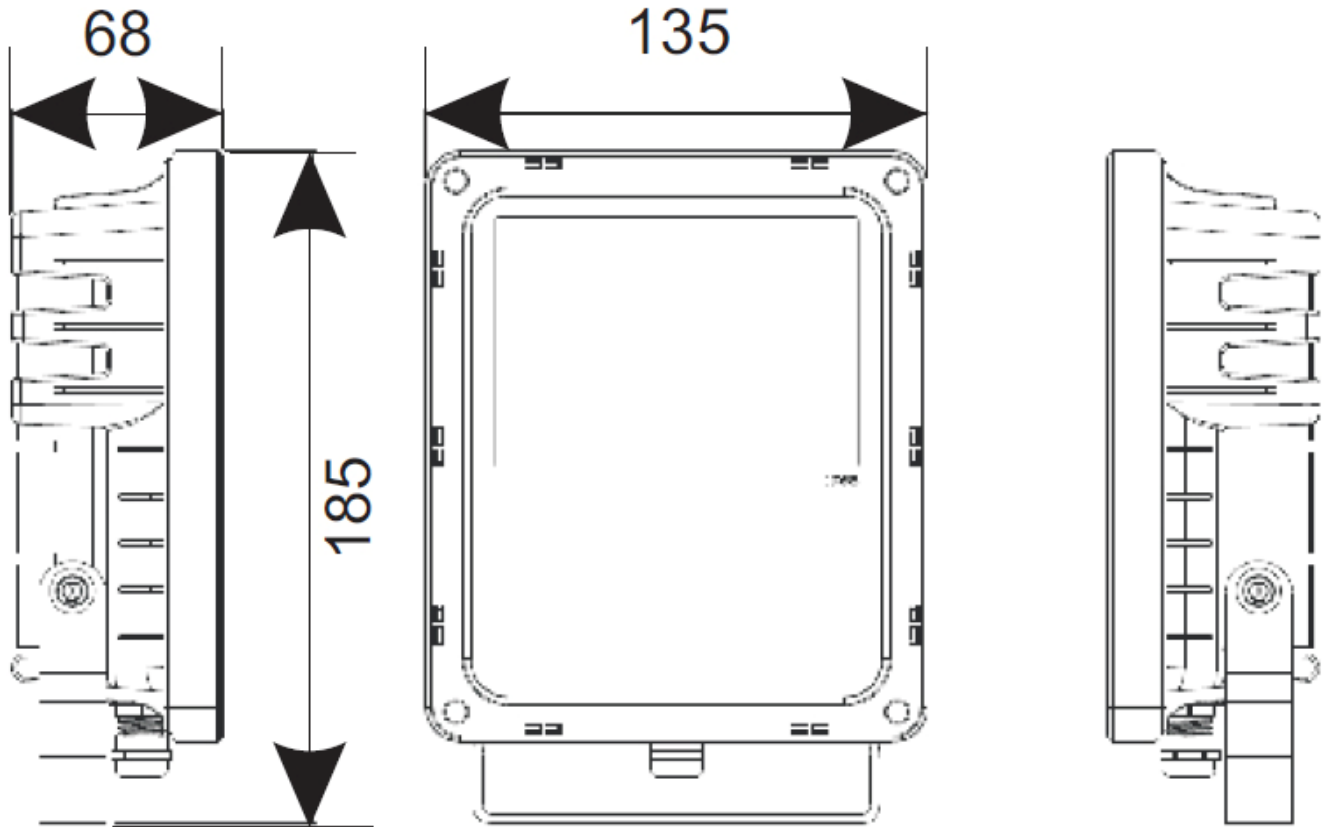
LED floodlight 10W



3: Product structure picture



3: Production Dimension picture



◆ 1.Application:

Led floodlights are widely used in tunnel lighting,outdoor flood lighting, architectural decoration lighting, industrial areas lighting,sport center lighting, outdoor stadium,dock and port.

◆ 2.Products introduction:

(1)special heat dissipation technology which can transmit and radiating heat with high performance. High heat radiating technology to reduce led body temperature. The working time of led source and driver has been extend in this way.

(2)led chip is bridgelux45mil import from USA which with high lumens efficacy.the product is high quality.

(3)The surface of heatsink was treated with anodic oxidation technology.

(4)This product doesn't contain lead,mercury and other pollution elements.it's environment friendly product.

(5)this product's CRI is high than normal floodlight product. the physical color rendering more real, a variety of light colors optional, to meet the needs of different environments, eliminating the traditional lamp color temperature is high or low depressed mood, the visual comfort, improve people's efficiency.


(6)40-80% energy saving than traditional lamps

(7)High PF value, more than 0.95, in order to improve their energy usage rate, reduce the loss, reduce the harmonic pollution of the power network, reducing the power load.

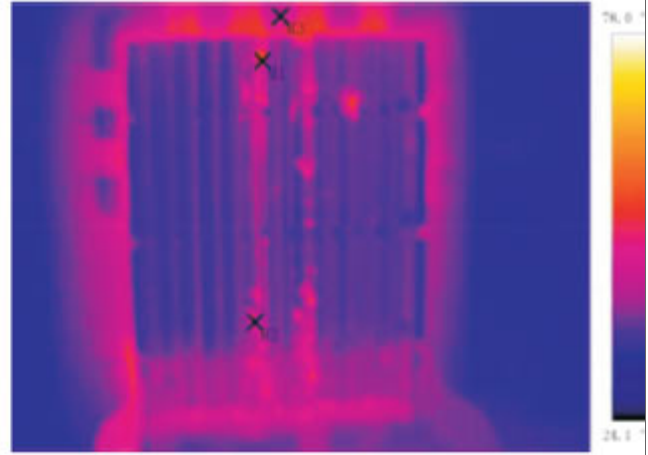
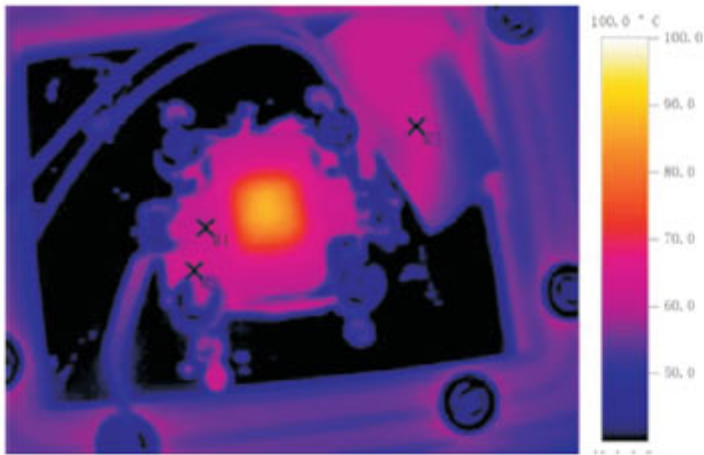
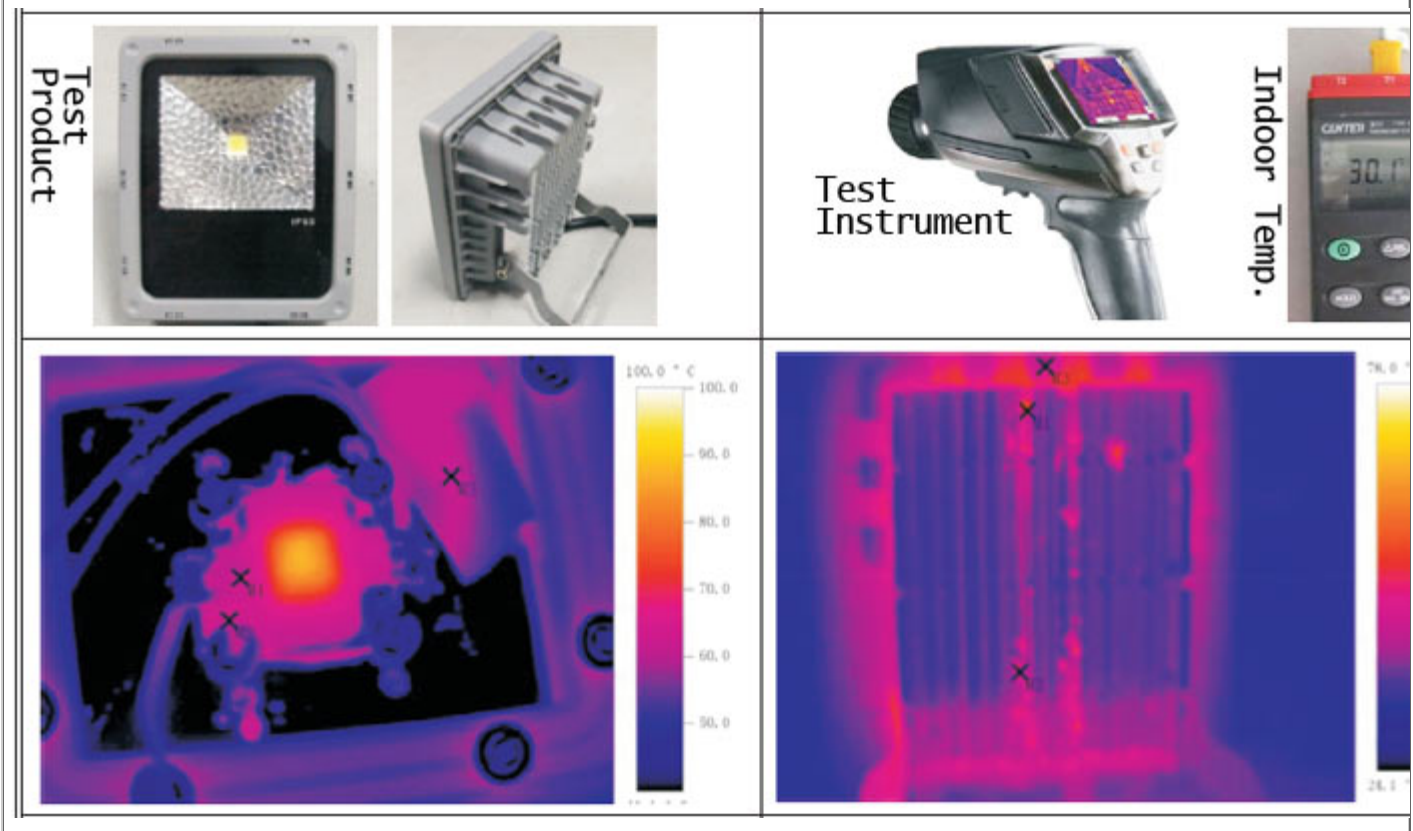
4 Product data of performance :

Input Voltage		AC90V-305V
Frequency Range		47Hz--63Hz
Tatal Harmonic Distortion		≤9%
power Factor		>0.90
Power Efficiency		>88%
LED Working Voltage		DC27-36V
LED led quantity		1Pc
LED Led consumption		10W
System Consumption		110±10%
luminous efficiency of luminaire		>105lm/W
Color Temperature	A	2400-2600K
	B	2600-2900K
	C	2900-3200K
	D	3200-3700K
	E	3700-4300K
	F	4300-4800K
	G	4800-5300K
	H	5300-6000K
	I	6000-7000K
Color Rendering Index	7	Ra>70
	8	Ra>80
	9	Ra>90
LED Junction Temperature		≤75℃
Working Temperature		"-40℃~+55℃"
storage Temperature		"-25℃~+65℃"25℃ is the best
IP Grade		IP65
Working life-span		40000H
Power line		0.75mm2 three core line
Brown		L (live line)
Blue		N (neutral line)
Yellow/Green		G Earth line
Color of lamp shell		Black and silver
certificate		CE,ROHS,
lamp weight : G.W./N.W.		0.7kg
lamp packing dimension		18.5*13.5*6.8CM

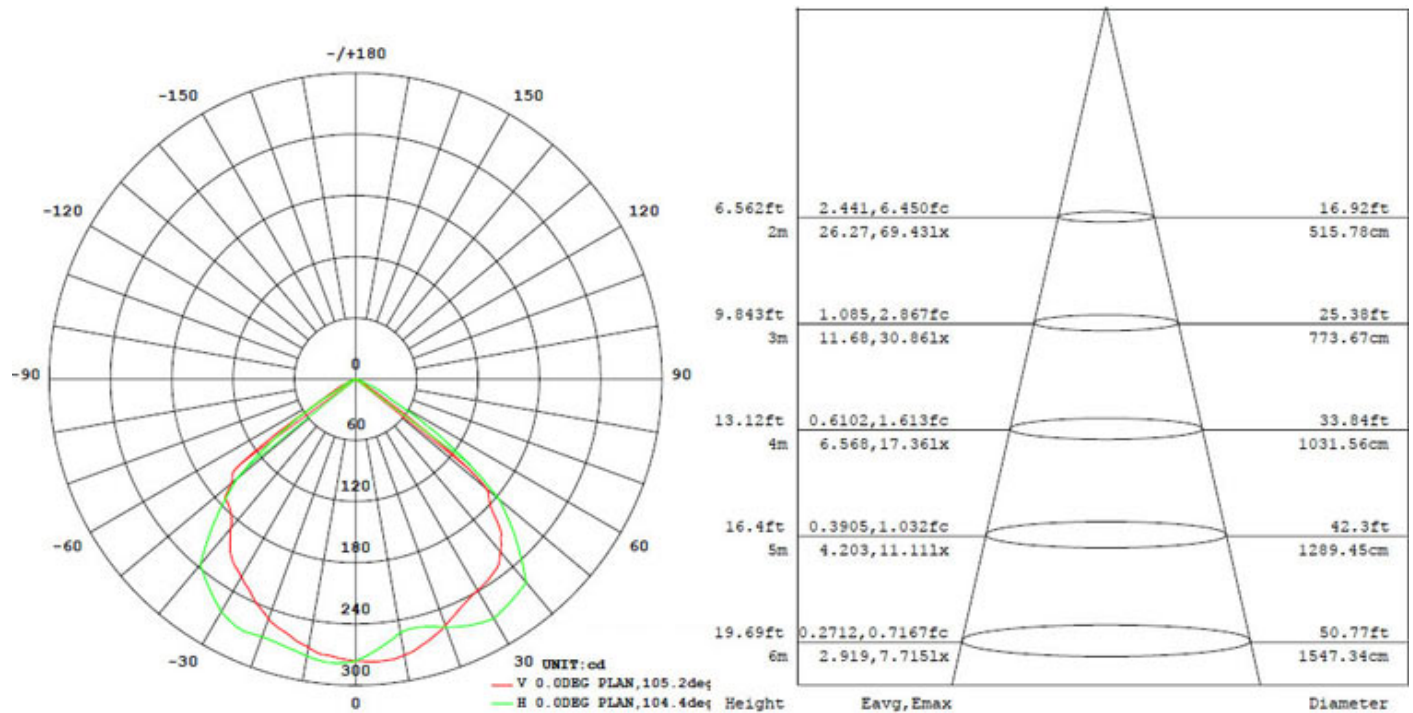
5 Product Detailed Description:

		
<p>Respirator Design Balance difference pressure between atmosphere and Shell, it's waterproof also defog and avoiding the drop condensation, reducing the inside salt corrosion and prolong lifespan.</p>	<p>Tempered Glass Panel 4mm tempered glass panel safely protect the lighting source, and the transparent rate is up to 93%.</p>	<p>Wide Angle for adjustment With multiple adjustment points, the adjustment angle can be up to 170° Stainless steel fittings The Fittings resistance to air, water, acid, alkali, salt and other chemical corrosion solution, suitable for long-term use in a variety of adverse circumstances</p>
		
<p>Pure Aluminium Reflector The Reflector is made of Pure Aluminium(99.8%) which anti-oxidation &unfading in colour, ensuring the reflection.</p>	<p>IP Rate IP65 By using water proof connector and silicon rubber sealing, the protection rate can achieve IP65, meeting the requirement for harsh, tough environment.</p>	<p>Most of the mainstream manufacturers's LED chips and their Chip-Scale Packages are compatible to the structure of the housing, we can also customize the installation structure accord to you Chip-Package's Size(COB/SMD3535 ect).</p>
		
<p>Gear Slotting Fins Technology The Fins couple into the base of the heatsink tightly, minimum the heat transfer resistance.</p>	<p>Patented Zipped-Fins Technology With zipped-Fins technology the convection airflow is evenly distributed in the cooling fins, optimizing the cooling effect.</p>	<p>We can do Customizing -More Options Available for You (COB)</p>

10W LED Flood Light LED Lamp Junction Temperature Test: LED Average Temperature: 75.9°C, Heatsink: 60°C

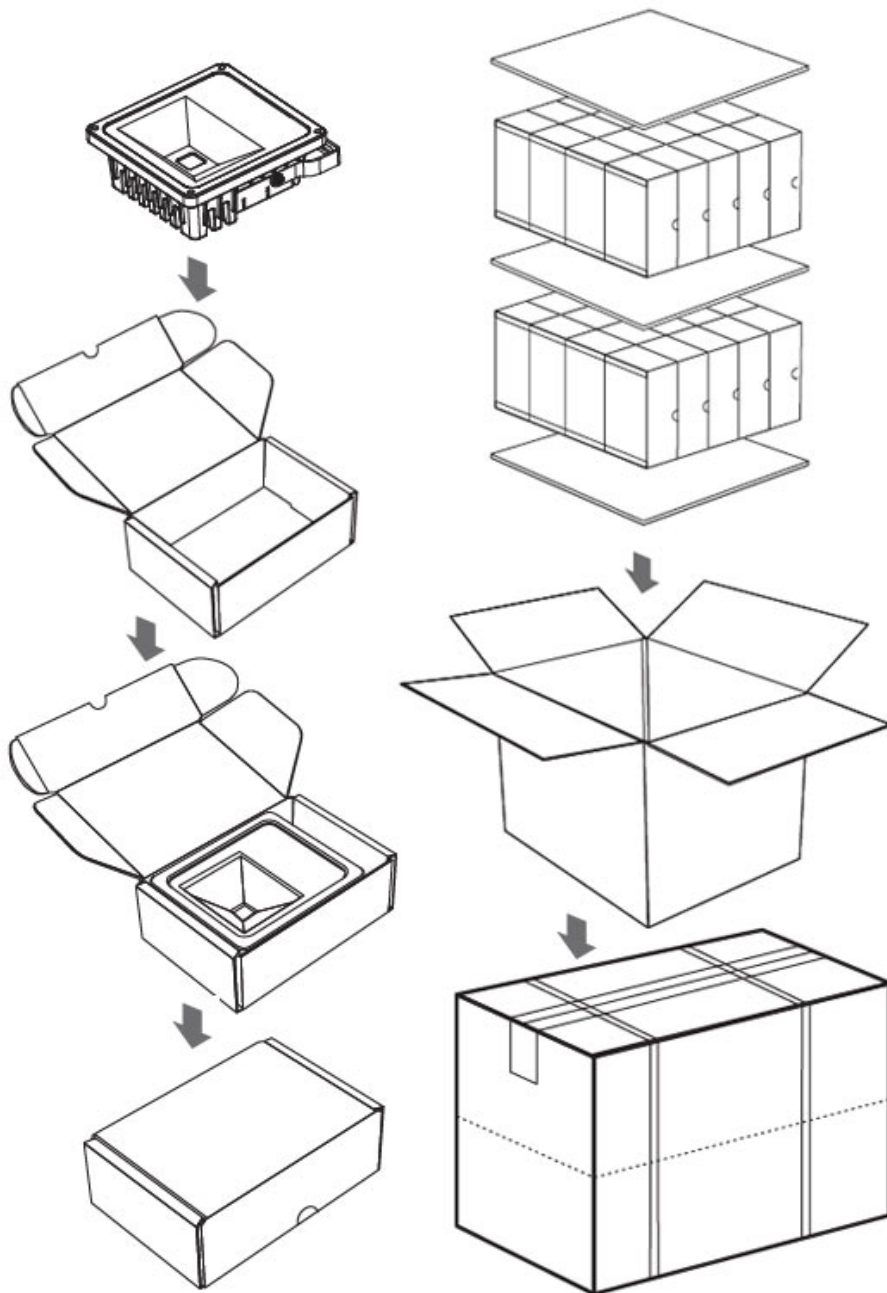


10W LED Flood Light ISO Illumination Data: COB LED



6 Packing & shipping data:

Power & Model	Consumption	Housing Size	Packing Size	NET weight	Gross Weight	CBM
SV-FL001-10W	10Watt	18.5*13.5*6.8CM	21*14*8CM	0.6KG	0.7KG	0.001
SV-FL001-30W	30Watt	22.5*18.5*8.8CM	25.5*23*12.5CM	1.3KG	1.5KG	0.003
SV-FL001-50W	50Watt	26*19.5*10.5CM	31.5*26*14.5CM	1.8KG	2KG	0.012
SV-FL001-100W	100Watt	30.5*25*12.5CM	38*32.5*24.5CM	5.5KG	5.8KG	0.03
SV-FL001-200W	200Watt	41*36*14CM	48*42*24.5CM	9.8KG	10.5KG	0.03



◆ Installation suggestion:

- (1) Please cut off the power before installation and Ensure that the installation site can withstand the weight of the fixture.
- (2) In order to prevent the shedding of light, please make sure the installation is correct.
- (3) Please do not use it in the place with corrosive gases
- (4) Please do not overwrite any material on the lamp.
- (5) For safety, please connect the earth line to ground
- (6) The product of decomposition, modification, or failure caused by improper construction not within the scope of the guarantee.
- (7) Brown,blue, yellow-green corresponding to the line of fire, and zero line and grounding line.